

Grippler Plus Range

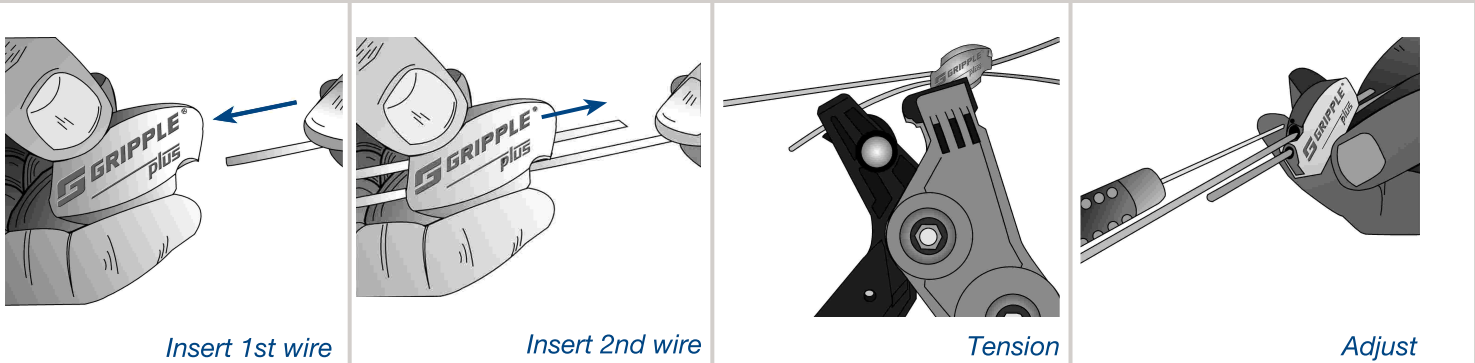
A comprehensive range of wire joiners and tensioners to suit most fence wires, trellis wires or support wires.

ADVANTAGES

- Join and tension in one.
- 4 times faster than knotting or other traditional methods.
- The simple push fit maintains the inherent strength of the wire.
- High load holding.
- Easy maintenance - one-way movement always allows for re-tensioning.
- Optimum corrosion resistance.
- Adjustment feature.
- Use with the Grippler Torq Tensioning Tool for easy installation.



INSTALLATION



- Insert the first wire, then the second to make a wire join.
- Tension with the Grippler Tensioning Tool.
- Use on plain wire, barbed wire or stock fencing.
- Use the setting key for adjustment prior to tensioning.
- Terminate at a post by looping the wire around the post and sliding the Grippler along the wire. Then insert the tail wire back into the unit.

SPECIFICATION

Product	Wire Gauge - ga	Load lbs
Grippler Plus SMALL	17 - 13	600lb
Grippler Plus MEDIUM	14 - 10	880lb
Grippler Plus LARGE	10 - 7 1/2	1320lb

All are available in bags, bulk, Starter Packs and Tools Deals (with special offers on Starter Packs and Tool Deals).

TIPS

- Always leave a wire tail of at least 3" to allow for re-tensioning.
- Secure tail wires with the Grippler Twister.
- If the Grippler unit is pushed onto the wire too far (pre-load), use the setting key to allow the unit to move backwards.